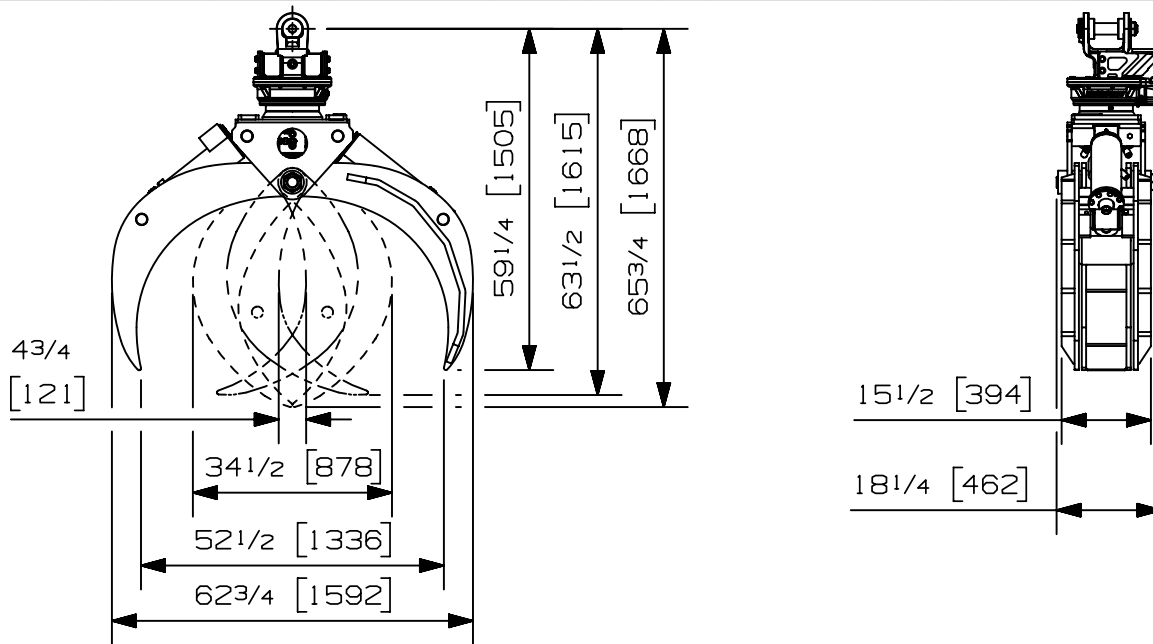


<b>Max load:</b>	- lb	- kg
<b>Volume:</b>	.23 cord of 8 ft	.84 m <sup>3</sup>
<b>Area tip to tip:</b>	3.70 ft <sup>2</sup>	.34 m <sup>2</sup>
<b>Rotator lifting capacity:</b>	32000 lb	14515 kg
<b>Torque at relief pressure:</b>	12920 lb-in	1460 Nm
	1160 psi	80 bars
<b>Weight:</b>	1235 lb	560 kg

<b>Rotator</b>	<b>Maximum pressure:</b> 5000 psi    345 bars	<b>Recommended flow:</b> 9 gpm    34 l/min
Rotator recommended flow will produce a maximum speed of 30 rpm		

Cylinder	Diameter	Recommended pressure	Pressure range	Flow range	Lock valves
Standard	3 1/2 " (89 mm)	3800 psi (262 bars)	3100 - 4500 psi (214-310 bars)	11 - 16 gpm (42-61 l/min.)	Yes
Optional	3 1/2 " (89 mm)	3800 psi (262 bars)	3100 - 4500 psi (214-310 bars)	11 - 16 gpm (42-61 l/min.)	No
Optional	4 " (102 mm)	2750 psi (190 bars)	2500 - 3000 psi (172-207 bars)	16 - 23 gpm (61-87 l/min.)	No
Optional	4 1/2 " (114 mm)	2500 psi (172 bars)	2000 - 3000 psi (138-207 bars)	21 - 30 gpm (79-114 l/min.)	Yes
Optional	4 1/2 " (114 mm)	2500 psi (172 bars)	2000 - 3000 psi (138-207 bars)	21 - 30 gpm (79-114 l/min.)	No

Grapple cylinder maximum flow will theoretically produce a complete grapple open/close cycle in 5 seconds.



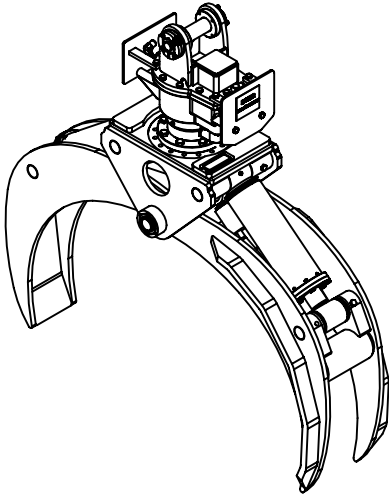
**Options:**

- Head protector (12 lbs / 5 kg)
- Log protection package, including shaft on jaw tips and protection strips on jaw edges (40 lbs / 18 kg)
- Shaft on jaw tips to prevent log damage (N/A)
- Impact protection relief valve (10 lbs / 5 kg)

web site: [www.rotobec.com](http://www.rotobec.com)

email: [rotobec@rotobec.com](mailto:rotobec@rotobec.com)

**Rotobec Inc.:** Head office serving OEM's and Eastern Canada    Ph: (418) 383-3002 Fax: (418) 383-5334  
**Rotobec West:** Branch serving Western Canada and Western USA    Ph: (250) 765-1161 Fax: (250) 765-0035  
**Rotobec USA:** Branch serving Eastern and Central USA    Ph: (603) 444-2103 Fax: (603) 444-0327

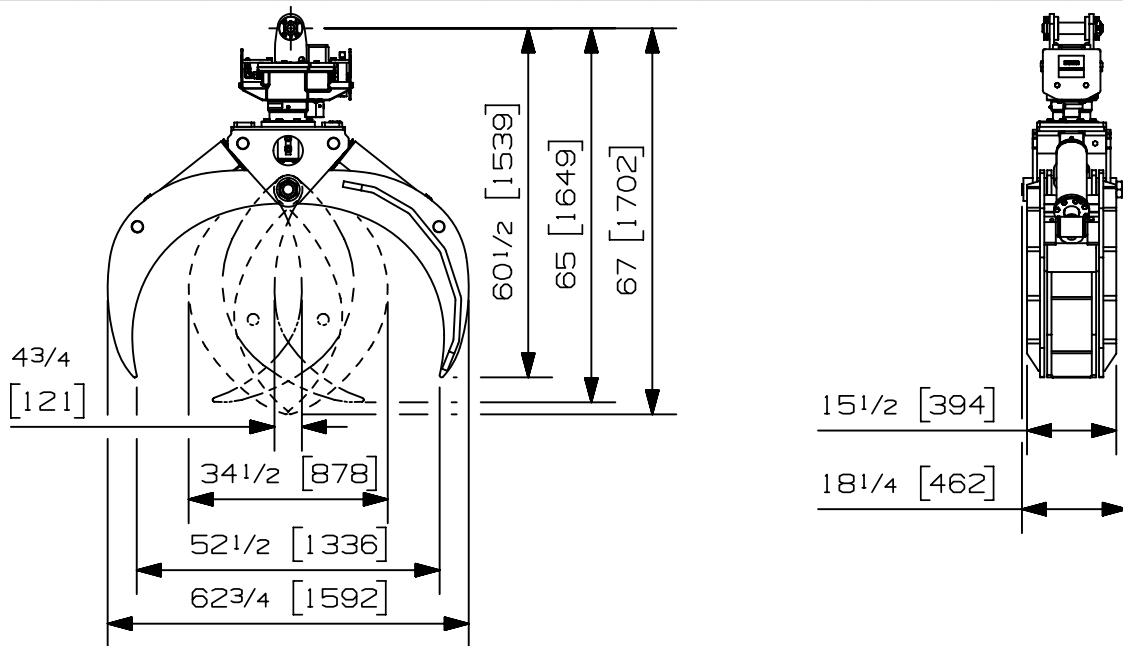


<b>Max load:</b>	- lb	- kg
<b>Volume:</b>	.23 cord of 8 ft	.84 m <sup>3</sup>
<b>Area tip to tip:</b>	3.70 ft <sup>2</sup>	.34 m <sup>2</sup>
<b>Rotator lifting capacity:</b>	18000 lb	8165 kg
<b>Torque at relief pressure:</b>	8450 lb-in	955 Nm
	913 psi	63 bars
<b>Weight:</b>	1145 lb	519 kg

<b>Rotator</b>	<b>Maximum pressure:</b> 4000 psi    276 bars	<b>Recommended flow:</b> 8 gpm    30 l/min
Rotator recommended flow will produce a maximum speed of 30 rpm		

Cylinder	Diameter	Recommended pressure	Pressure range	Flow range	Lock valves
Standard	3 1/2 " (89 mm)	3800 psi (262 bars)	3100 - 4500 psi (214-310 bars)	11 - 16 gpm (42-61 l/min.)	Yes
Optional	3 1/2 " (89 mm)	3800 psi (262 bars)	3100 - 4500 psi (214-310 bars)	11 - 16 gpm (42-61 l/min.)	No
Optional	4 " (102 mm)	2750 psi (190 bars)	2500 - 3000 psi (172-207 bars)	16 - 23 gpm (61-87 l/min.)	No
Optional	4 1/2 " (114 mm)	2500 psi (172 bars)	2000 - 3000 psi (138-207 bars)	21 - 30 gpm (79-114 l/min.)	Yes
Optional	4 1/2 " (114 mm)	2500 psi (172 bars)	2000 - 3000 psi (138-207 bars)	21 - 30 gpm (79-114 l/min.)	No

Grapple cylinder maximum flow will theoretically produce a complete grapple open/close cycle in 5 seconds.



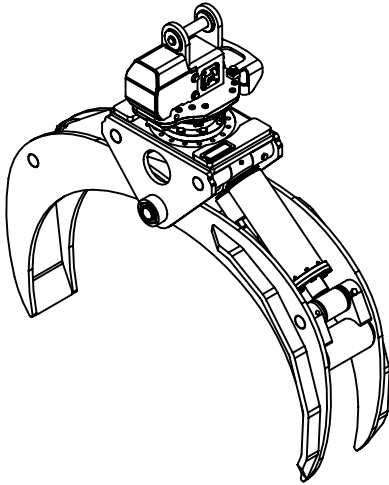
**Options:**

- Head protector (12 lbs / 5 kg)
- Log protection package, including shaft on jaw tips and protection strips on jaw edges (40 lbs / 18 kg)
- Shaft on jaw tips to prevent log damage (N/A)
- Impact protection relief valve (10 lbs / 5 kg)

web site: [www.rotobec.com](http://www.rotobec.com)

email: [rotobec@rotobec.com](mailto:rotobec@rotobec.com)

**Rotobec Inc.:** Head office serving OEM's and Eastern Canada    Ph: (418) 383-3002 Fax: (418) 383-5334  
**Rotobec West:** Branch serving Western Canada and Western USA    Ph: (250) 765-1161 Fax: (250) 765-0035  
**Rotobec USA:** Branch serving Eastern and Central USA    Ph: (603) 444-2103 Fax: (603) 444-0327

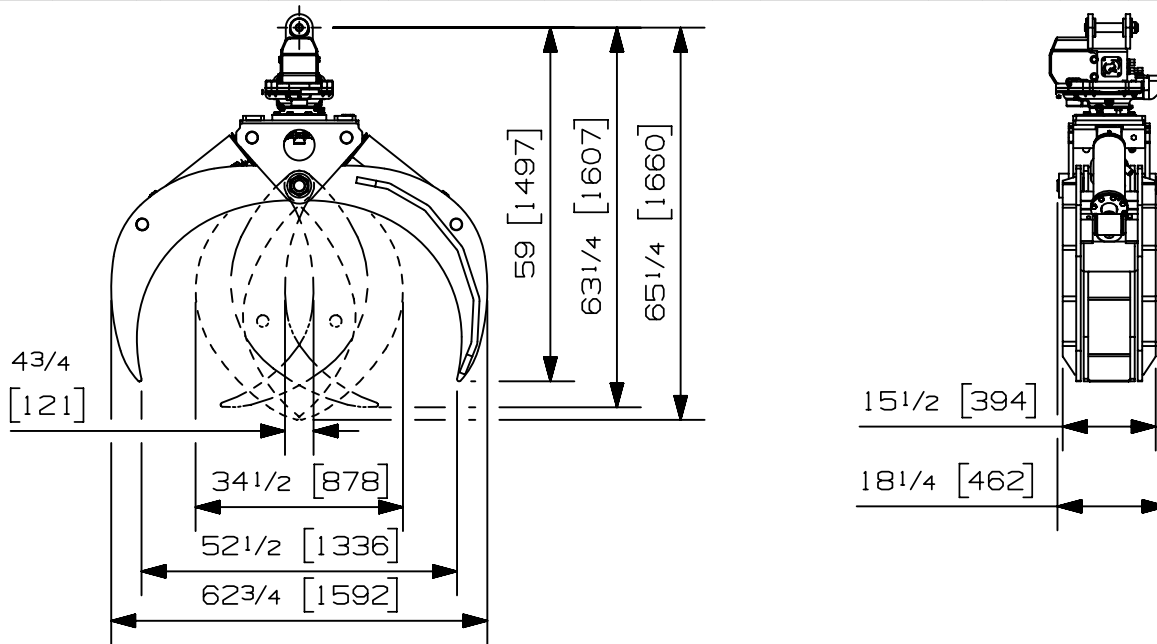


<b>Max load:</b>	- lb	- kg
<b>Volume:</b>	.23 cord of 8 ft	.84 m <sup>3</sup>
<b>Area tip to tip:</b>	3.70 ft <sup>2</sup>	.34 m <sup>2</sup>
<b>Rotator lifting capacity:</b>	22000 lb	9979 kg
<b>Torque at relief pressure:</b>	10700 lb-in	1209 Nm
	913 psi	63 bars
<b>Weight:</b>	1145 lb	519 kg

<b>Rotator</b>	<b>Maximum pressure:</b> 5000 psi    345 bars	<b>Recommended flow:</b> 10 gpm    38 l/min
Rotator recommended flow will produce a maximum speed of 30 rpm		

Cylinder	Diameter	Recommended pressure	Pressure range	Flow range	Lock valves
Standard	3 1/2 " (89 mm)	3800 psi (262 bars)	3100 - 4500 psi (214-310 bars)	11 - 16 gpm (42-61 l/min.)	Yes
Optional	3 1/2 " (89 mm)	3800 psi (262 bars)	3100 - 4500 psi (214-310 bars)	11 - 16 gpm (42-61 l/min.)	No
Optional	4 " (102 mm)	2750 psi (190 bars)	2500 - 3000 psi (172-207 bars)	16 - 23 gpm (61-87 l/min.)	No
Optional	4 1/2 " (114 mm)	2500 psi (172 bars)	2000 - 3000 psi (138-207 bars)	21 - 30 gpm (79-114 l/min.)	Yes
Optional	4 1/2 " (114 mm)	2500 psi (172 bars)	2000 - 3000 psi (138-207 bars)	21 - 30 gpm (79-114 l/min.)	No

Grapple cylinder maximum flow will theoretically produce a complete grapple open/close cycle in 5 seconds.



**Options:**

- Head protector (12 lbs / 5 kg)
- Log protection package, including shaft on jaw tips and protection strips on jaw edges (40 lbs / 18 kg)
- Shaft on jaw tips to prevent log damage (N/A)
- Impact protection relief valve (10 lbs / 5 kg)

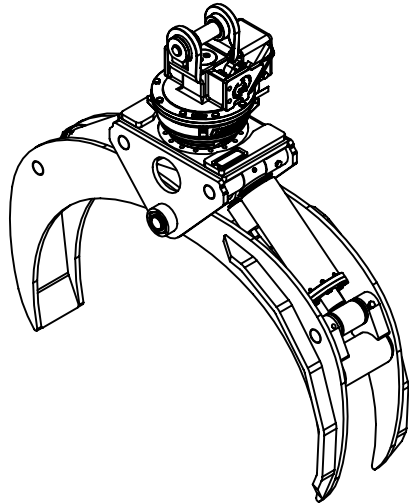
web site: [www.rotobec.com](http://www.rotobec.com)

email: [rotobec@rotobec.com](mailto:rotobec@rotobec.com)

**Rotobec Inc.:** Head office serving OEM's and Eastern Canada    Ph: (418) 383-3002 Fax: (418) 383-5334  
**Rotobec West:** Branch serving Western Canada and Western USA    Ph: (250) 765-1161 Fax: (250) 765-0035  
**Rotobec USA:** Branch serving Eastern and Central USA    Ph: (603) 444-2103 Fax: (603) 444-0327

We reserve the right to change specifications and to improve our products without notice or obligation.

07009-5490  
 04/12/2019 D.L.

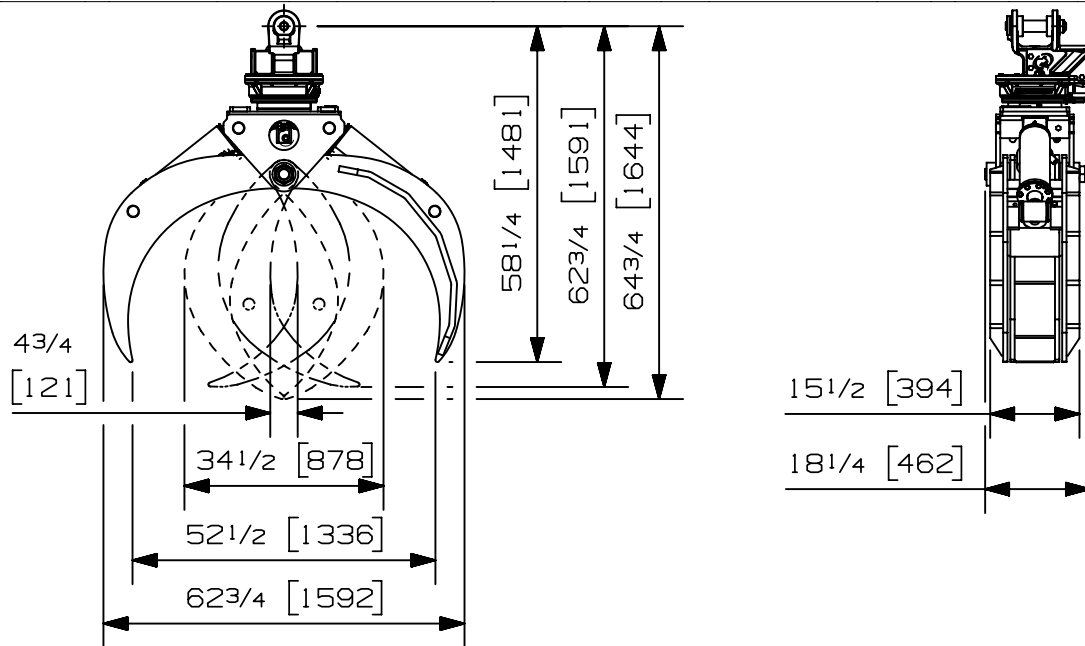


<b>Max load:</b>	- lb	- kg
<b>Volume:</b>	.23 cord of 8 ft	.84 m <sup>3</sup>
<b>Area tip to tip:</b>	3.70 ft <sup>2</sup>	.34 m <sup>2</sup>
<b>Rotator lifting capacity:</b>	25000 lb	11340 kg
<b>Torque at relief pressure:</b>	16150 lb-in	1825 Nm
	1450 psi	100 bars
<b>Weight:</b>	1190 lb	540 kg

<b>Rotator</b>	<b>Maximum pressure:</b> 5000 psi    345 bars	<b>Recommended flow:</b> 9 gpm    34 l/min
Rotator recommended flow will produce a maximum speed of 30 rpm		

Cylinder	Diameter	Recommended pressure	Pressure range	Flow range	Lock valves
Standard	3 1/2 " (89 mm)	3800 psi (262 bars)	3100 - 4500 psi (214-310 bars)	11 - 16 gpm (42-61 l/min.)	Yes
Optional	3 1/2 " (89 mm)	3800 psi (262 bars)	3100 - 4500 psi (214-310 bars)	11 - 16 gpm (42-61 l/min.)	No
Optional	4 " (102 mm)	2750 psi (190 bars)	2500 - 3000 psi (172-207 bars)	16 - 23 gpm (61-87 l/min.)	No
Optional	4 1/2 " (114 mm)	2500 psi (172 bars)	2000 - 3000 psi (138-207 bars)	21 - 30 gpm (79-114 l/min.)	Yes
Optional	4 1/2 " (114 mm)	2500 psi (172 bars)	2000 - 3000 psi (138-207 bars)	21 - 30 gpm (79-114 l/min.)	No

Grapple cylinder maximum flow will theoretically produce a complete grapple open/close cycle in 5 seconds.



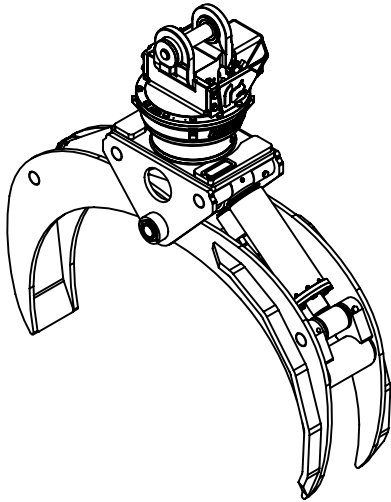
**Options:**

- Protecteur de tête (12 lbs / 5 kg)
- Ensemble de protection pour billot incluant bouts ronds et bandes de protection (40 lbs / 18 kg)
- Bouts ronds pour prevenir les dommages au billot (N/A)
- Soupape de protection (10 lbs / 5 kg)

web site: [www.rotobec.com](http://www.rotobec.com)

email: [rotobec@rotobec.com](mailto:rotobec@rotobec.com)

**Rotobec Inc.:** Head office serving OEM's and Eastern Canada    Ph: (418) 383-3002 Fax: (418) 383-5334  
**Rotobec West:** Branch serving Western Canada and Western USA    Ph: (250) 765-1161 Fax: (250) 765-0035  
**Rotobec USA:** Branch serving Eastern and Central USA    Ph: (603) 444-2103 Fax: (603) 444-0327

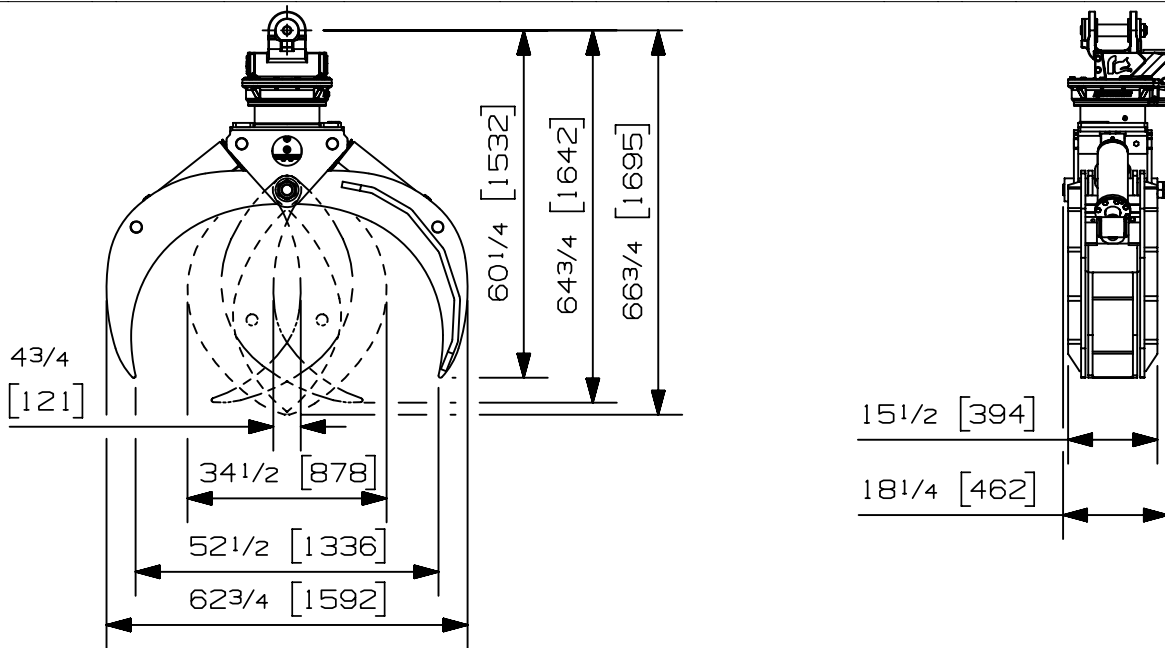


<b>Max load:</b>	- lb	- kg
<b>Volume:</b>	.23 cord of 8 ft	.84 m <sup>3</sup>
<b>Area tip to tip:</b>	3.70 ft <sup>2</sup>	.34 m <sup>2</sup>
<b>Rotator lifting capacity:</b>	50000 lb	22680 kg
<b>Torque at relief pressure:</b>	18630 lb-in	2105 Nm
	1450 psi	100 bars
<b>Weight:</b>	1375 lb	624 kg

<b>Rotator</b>	<b>Maximum pressure:</b> 5000 psi    345 bars	<b>Recommended flow:</b> 9 gpm    34 l/min
Rotator recommended flow will produce a maximum speed of 25 rpm		

Cylinder	Diameter	Recommended pressure	Pressure range	Flow range	Lock valves
Standard	3 1/2 " (89 mm)	3800 psi (262 bars)	3100 - 4500 psi (214-310 bars)	11 - 16 gpm (42-61 l/min.)	Yes
Optional	3 1/2 " (89 mm)	3800 psi (262 bars)	3100 - 4500 psi (214-310 bars)	11 - 16 gpm (42-61 l/min.)	No
Optional	4 " (102 mm)	2750 psi (190 bars)	2500 - 3000 psi (172-207 bars)	16 - 23 gpm (61-87 l/min.)	No
Optional	4 1/2 " (114 mm)	2500 psi (172 bars)	2000 - 3000 psi (138-207 bars)	21 - 30 gpm (79-114 l/min.)	Yes
Optional	4 1/2 " (114 mm)	2500 psi (172 bars)	2000 - 3000 psi (138-207 bars)	21 - 30 gpm (79-114 l/min.)	No

Grapple cylinder maximum flow will theoretically produce a complete grapple open/close cycle in 5 seconds.



**Options:**

- Head protector (12 lbs / 5 kg)
- Log protection package, including shaft on jaw tips and protection strips on jaw edges (40 lbs / 18 kg)
- Shaft on jaw tips to prevent log damage (N/A)
- Impact protection relief valve (10 lbs / 5 kg)

web site: [www.rotobec.com](http://www.rotobec.com)

email: [rotobec@rotobec.com](mailto:rotobec@rotobec.com)

**Rotobec Inc.:** Head office serving OEM's and Eastern Canada    Ph: (418) 383-3002 Fax: (418) 383-5334  
**Rotobec West:** Branch serving Western Canada and Western USA    Ph: (250) 765-1161 Fax: (250) 765-0035  
**Rotobec USA:** Branch serving Eastern and Central USA    Ph: (603) 444-2103 Fax: (603) 444-0327