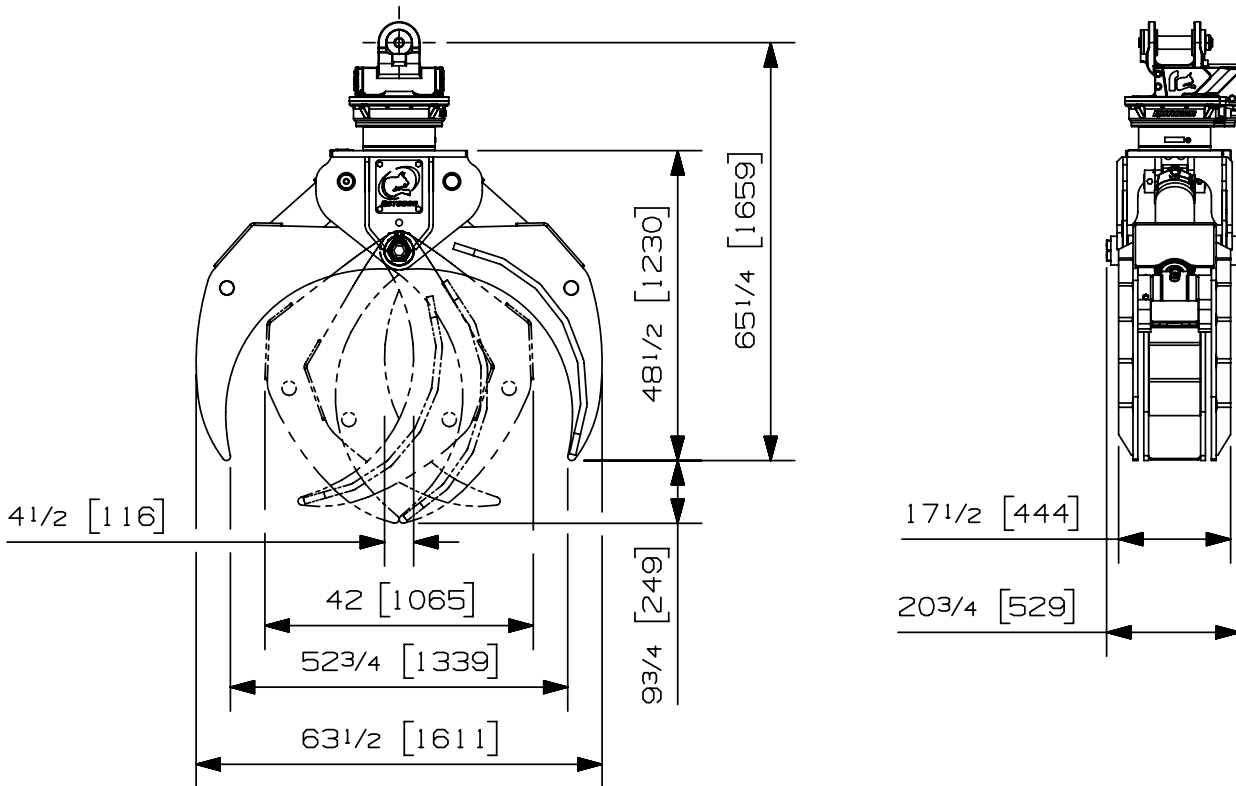


Max load:	n/a lb	n/a kg
Volume:	.23 cord of 8ft.	.83 m ³
Area tip to tip:	3.64 ft ²	.34 m ²
Rotator lifting capacity:	50000 lb	22680 kg
Torque at relief pressure:	14910 lb-in	1685 Nm
	1160 psi	80 bars
Weight:	1730 lb	785 kg

Rotator	Maximum pressure: 5000 psi 345 bars	Recommended flow: 9 gpm 34 l/min
Rotator recommended flow will produce a speed of 25 rpm		

Cylinder	Diameter	Recommended pressure	Pressure range	Flow range	Lock valves
Standard	4 " (102 mm)	3750 psi (259 bars)	2500-5000 psi (172-345 bars)	22-33 gpm (83-125 l/min.)	yes

Grapple cylinder maximum flow will theoretically produce a complete grapple open/close cycle in 4 seconds.

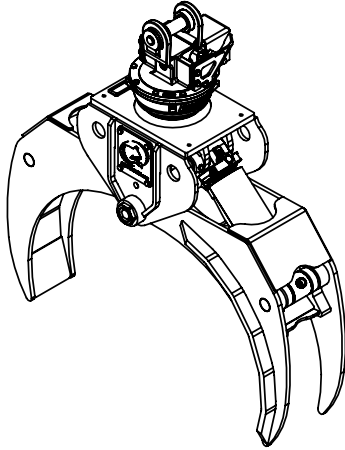


- Options:
- Log protection package, including shaft on jaw tips and protection strips on jaw edges. (60 lb / 27 kg)
 - Shaft on jaw tips to prevent log damage. (n/a)
 - Impact protection relief valve. (37 lb / 17 kg)
 - Saw bundle kit RGS-404 (426 lb/193 kg) or RGS-750 (663 lb/301 kg)
 - Optional brush rake kit (1240 lb / 560 kg)
 - Closed head option. (42 lb / 19 kg)

web site: www.rotobec.com

email: rotobec@rotobec.com

Rotobec Inc.: Head office serving OEM's and Eastern Canada Ph: (418) 383-3002 Fax: (418) 383-5334
Rotobec West: Branch serving Western Canada and Western USA Ph: (250) 765-1161 Fax: (250) 765-0035
Rotobec USA: Branch serving Eastern and Central USA Ph: (603) 444-2103 Fax: (603) 444-0327

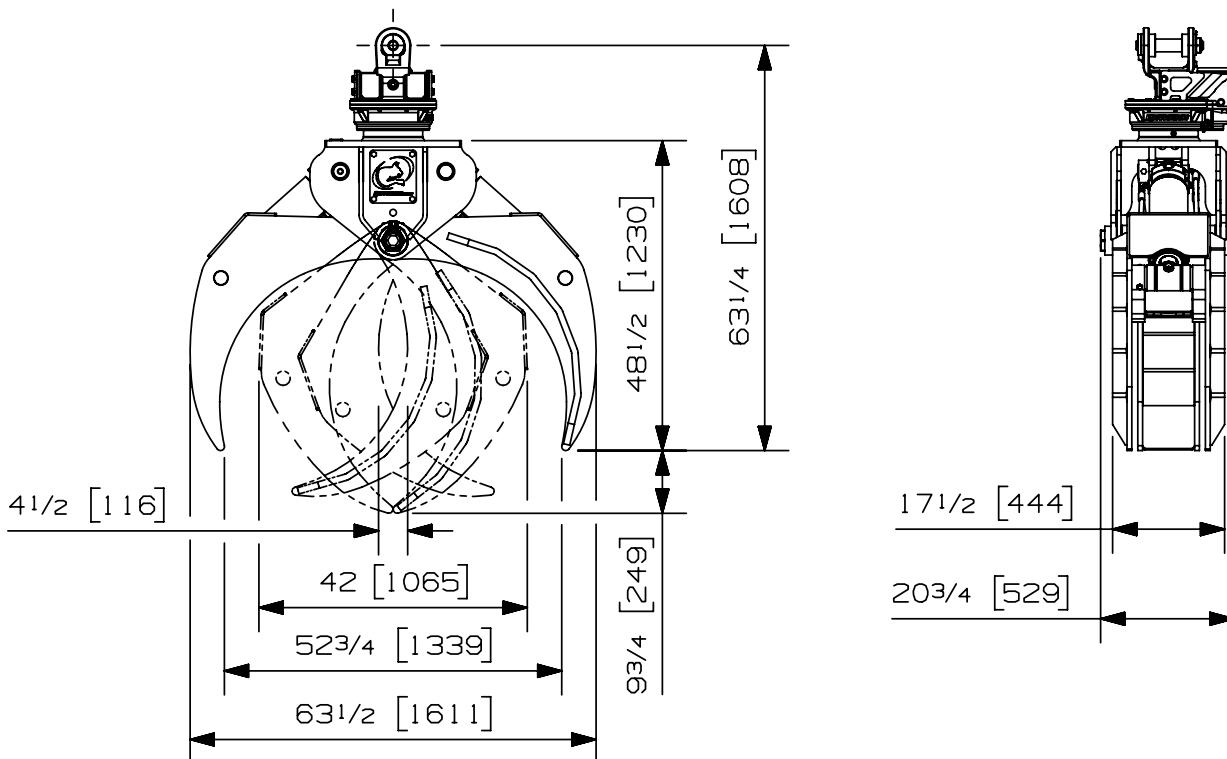


Max load:	n/a lb	n/a kg
Volume:	.23 cord of 8ft.	.83 m ³
Area tip to tip:	3.64 ft ²	.34 m ²
Rotator lifting capacity:	32000 lb	14515 kg
Torque at relief pressure:	12920 lb-in	1460 Nm
	1160 psi	80 bars
Weight:	1595 lb	723 kg

Rotator	Maximum pressure: 5000 psi 345 bars	Recommended flow: 9 gpm 34 l/min
Rotator recommended flow will produce a speed of 30 rpm		

Cylinder	Diameter	Recommended pressure	Pressure range	Flow range	Lock valves
Standard	4 " (102 mm)	3750 psi (259 bars)	2500-5000 psi (172-345 bars)	22-33 gpm (83-125 l/min.)	yes

Grapple cylinder maximum flow will theoretically produce a complete grapple open/close cycle in 4 seconds.



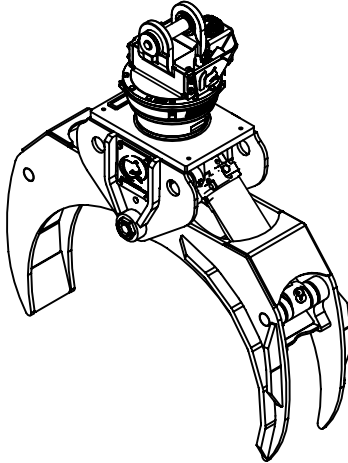
- Options:
- Log protection package, including shaft on jaw tips and protection strips on jaw edges. (60 lb / 27 kg)
 - Shaft on jaw tips to prevent log damage. (n/a)
 - Impact protection relief valve. (37 lb / 17 kg)
 - Optional brush rake kit (1240 lb / 560 kg)
 - Closed head option. (42 lb / 19 kg)

web site: www.rotobec.com

email: rotobec@rotobec.com

Rotobec Inc.: Head office serving OEM's and Eastern Canada
Rotobec West: Branch serving Western Canada and Western USA
Rotobec USA: Branch serving Eastern and Central USA

Ph: (418) 383-3002 Fax: (418) 383-5334
 Ph: (250) 765-1161 Fax: (250) 765-0035
 Ph: (603) 444-2103 Fax: (603) 444-0327

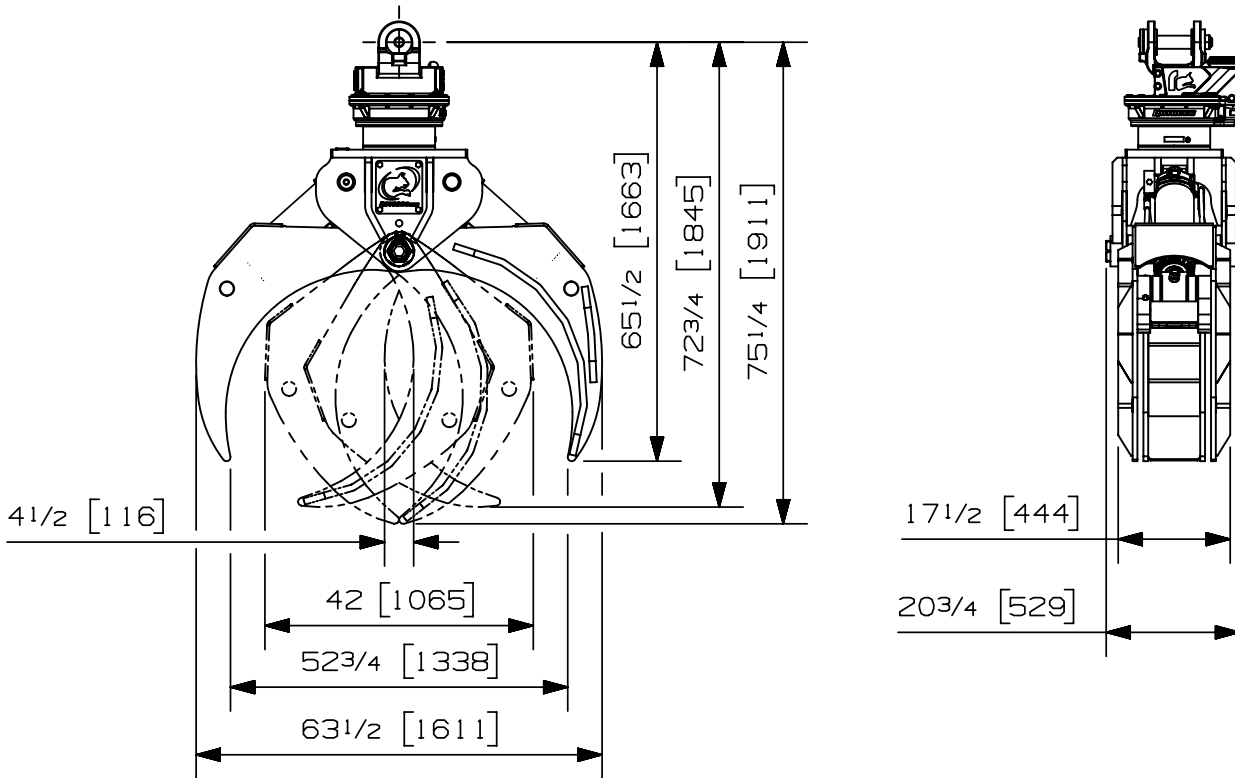


Max load:	- lb	- kg
Volume:	.23 cord of 8 ft	.82 m ³
Area tip to tip:	3.64 ft ²	.34 m ²
Rotator lifting capacity:	50000 lb	22680 kg
Torque at relief pressure:	15390 lb-in	1739 Nm
	1160 psi	80 bars
Weight:	1815 lb	823 kg

Rotator	Maximum pressure: 5000 psi 345 bars	Recommended flow: 9 gpm 34 l/min
Rotator recommended flow will produce a maximum speed of 25 rpm		

Cylinder	Diameter	Recommended pressure	Pressure range	Flow range	Lock valves
Standard	4 " (102 mm)	3750 psi (259 bars)	2500 - 5000 psi (172-345 bars)	22 - 33 gpm (83-125 l/min.)	Yes

Grapple cylinder maximum flow will theoretically produce a complete grapple open/close cycle in 4 seconds.



- Options:
- Head protector (40 lbs / 18 kg)
 - Log protection package, including shaft on jaw tips and protection strips on jaw edges (100 lbs / 45 kg)
 - Shaft on jaw tips to prevent log damage (n/a)
 - Impact protection relief valve (10 lbs / 5 kg)
 - Optional brush rake kit (1240 lbs / 562 kg)
 - Saw bundle 404 (saw included) (425 lbs / 193 kg)
 - Saw bundle 750 (saw included) (670 lbs / 304 kg)

web site: www.rotobec.com

email: rotobec@rotobec.com

Rotobec Inc.: Head office serving OEM's and Eastern Canada Ph: (418) 383-3002 Fax: (418) 383-5334
Rotobec West: Branch serving Western Canada and Western USA Ph: (250) 765-1161 Fax: (250) 765-0035
Rotobec USA: Branch serving Eastern and Central USA Ph: (603) 444-2103 Fax: (603) 444-0327